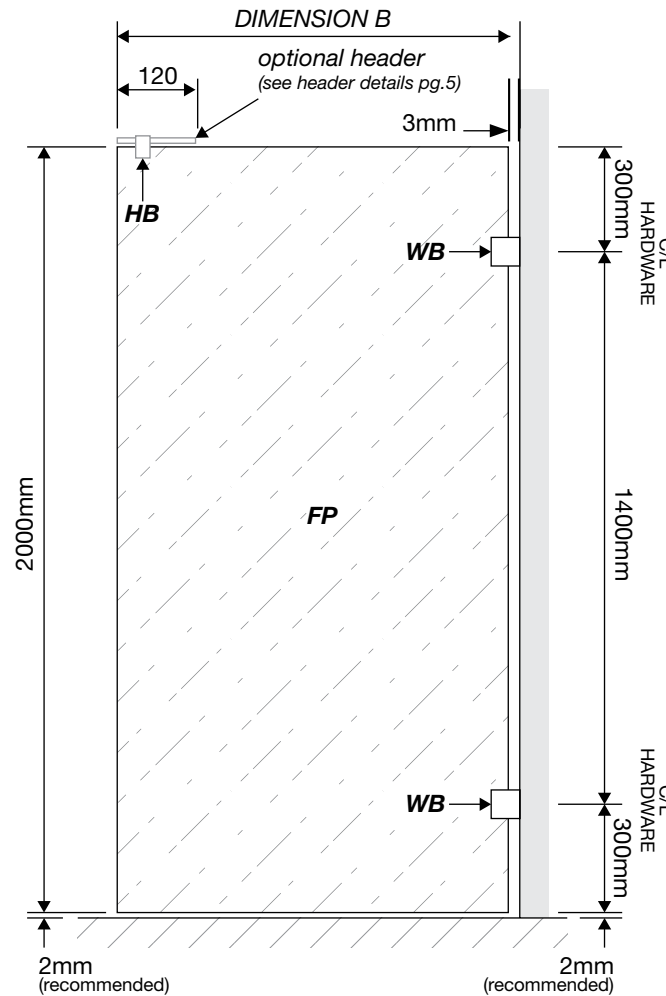
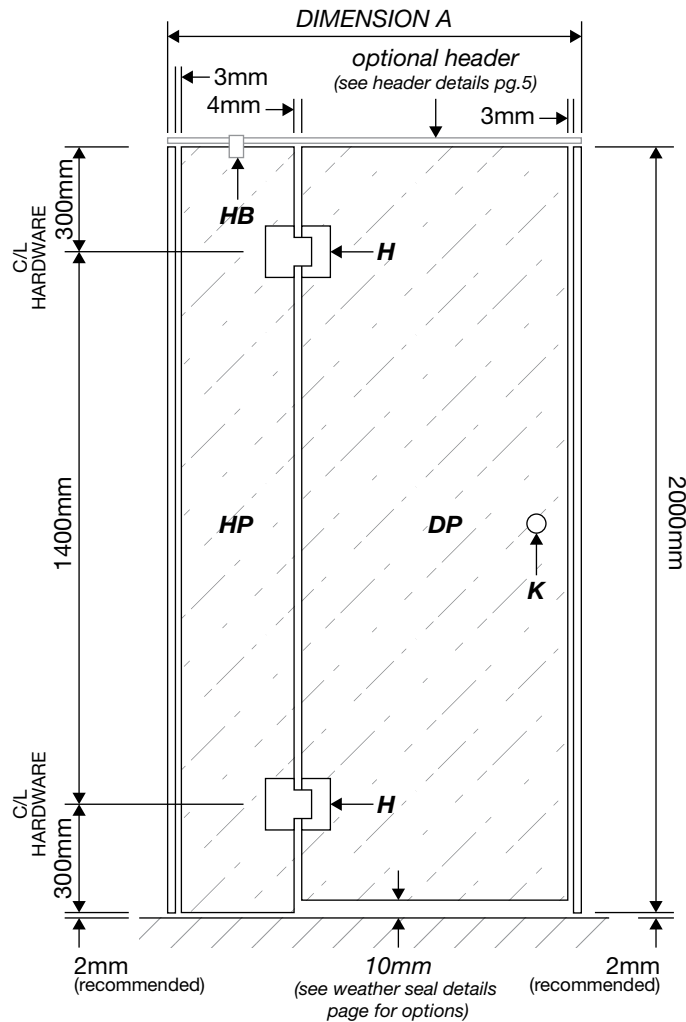


3-PANEL A HINGE SQUARE 2000 HEIGHT SHOWER SERIES (technical drawings)



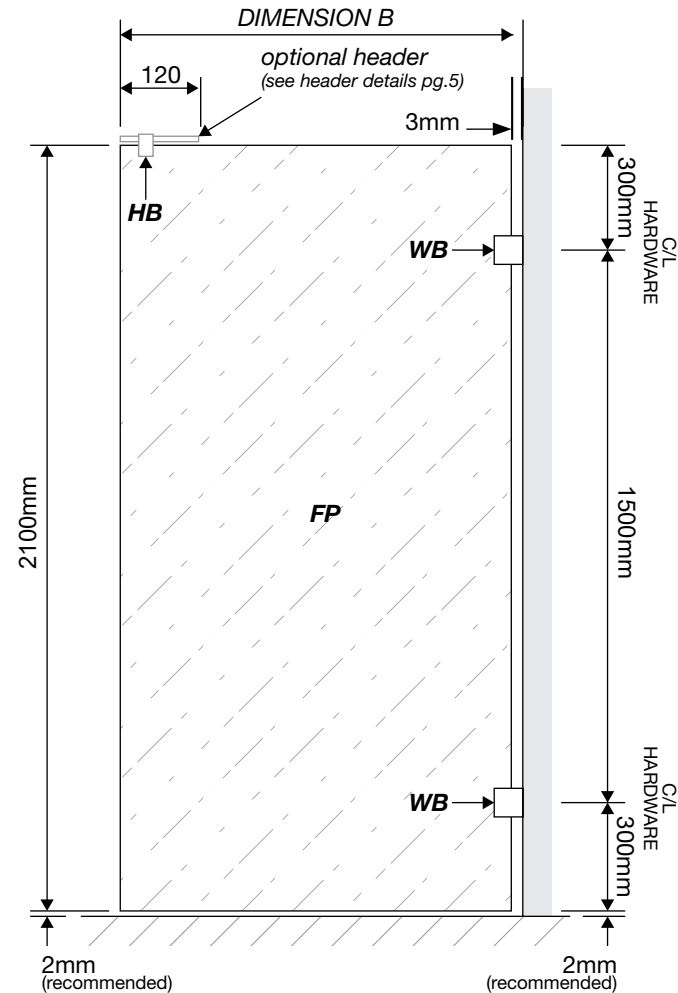
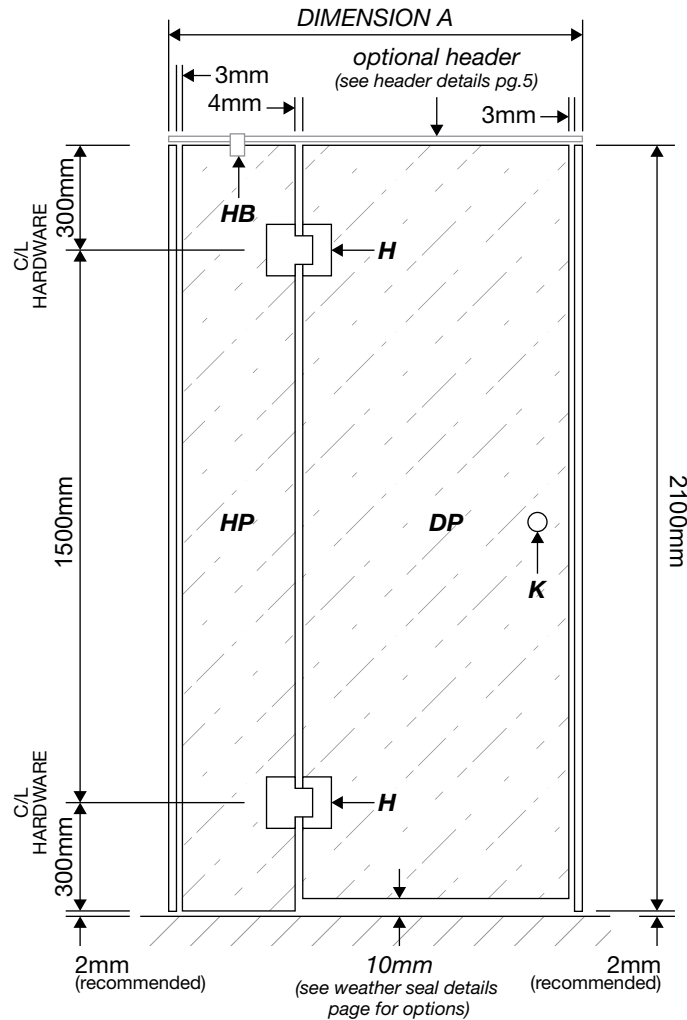
LEGEND

DIMENSION A	The overall dimension including gaps between glass panels ($\pm 1\text{mm}$ to all gaps recommended).
DIMENSION B	The overall dimension, NOT including gaps between glass and wall ($4\text{mm} \pm 1$ gap is recommended).
FP	Shower screen fixed glass panel (FP Glass Series).
DP	Shower screen door glass panel with hinge cutouts and hole for selected door knob (DP Glass Series).
HP	Shower screen hinge glass panel with two cutouts for door panel hinges (HP Glass Series).
H	Glass-to-Glass Hinge x2
WB	Wall Bracket x4
HB	Header Bracket (optional)
K	Knob x1

** All glass is 10mm clear toughened. **

ELEVATION DRAWING

3-PANEL A HINGE SQUARE 2100 HEIGHT SHOWER SERIES (technical drawings)



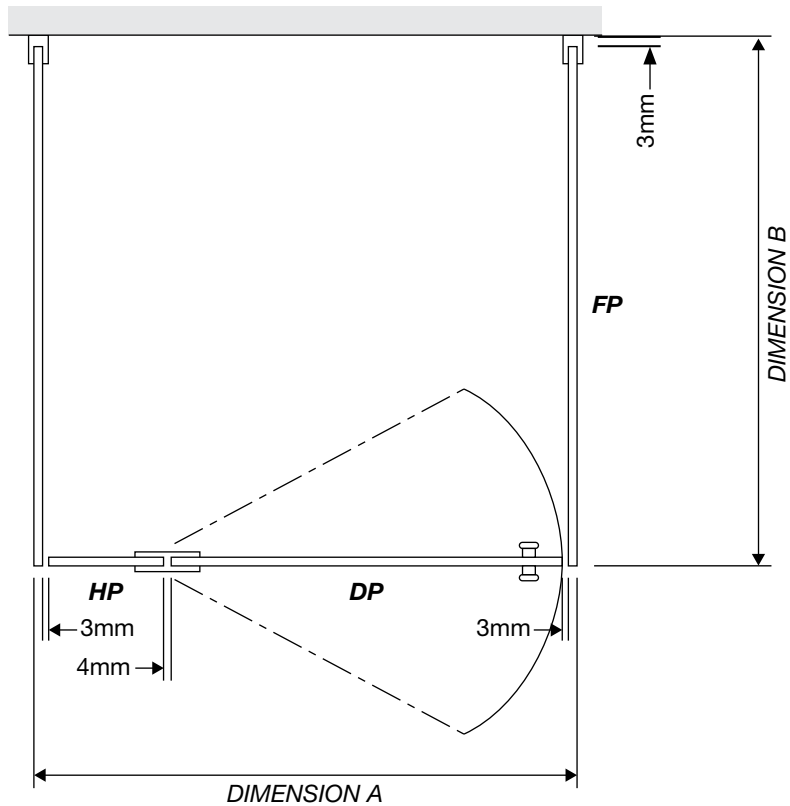
LEGEND

DIMENSION A	The overall dimension including gaps between glass panels ($\pm 1\text{mm}$ to all gaps recommended).
DIMENSION B	The overall dimension, NOT including gaps between glass and wall ($4\text{mm} \pm 1$ gap is recommended).
FP	Shower screen fixed glass panel (FP Glass Series).
DP	Shower screen door glass panel with hinge cutouts and hole for selected door knob (DP Glass Series).
HP	Shower screen hinge glass panel with two cutouts for door panel hinges (HP Glass Series).
H	Glass-to-Glass Hinge x2
WB	Wall Bracket x4
HB	Header Bracket (optional)
K	Knob x1

** All glass is 10mm clear toughened. **

ELEVATION DRAWING

3-PANEL HINGE SQUARE SHOWER SERIES (technical drawings)



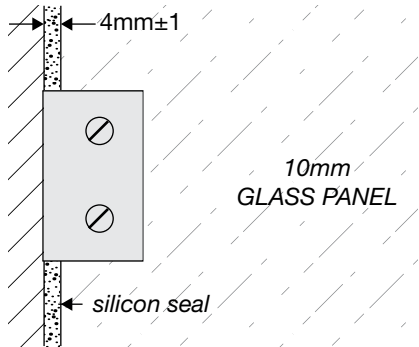
Dimension A, is the overall dimension including gaps between glass panels (± 1 mm to all gaps recommended).

Dimension B, is the overall dimension NOT including the gaps between glass and wall (4mm ± 1 gap is recommended).

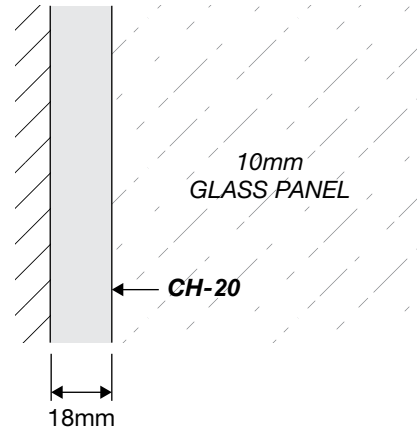
Between fixed panel and wall, silicon beading is required.

WALL/FLOOR MOUNTING APPLICATIONS

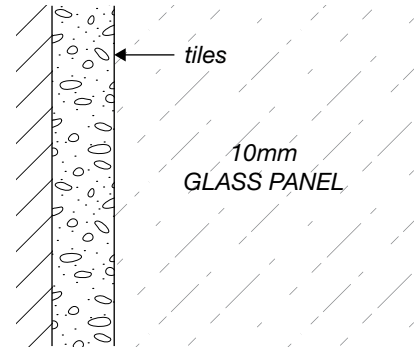
1/ CLAMP



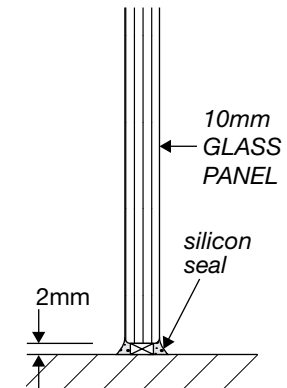
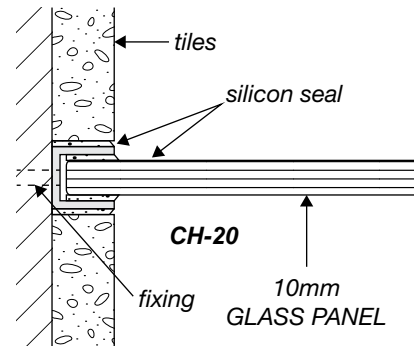
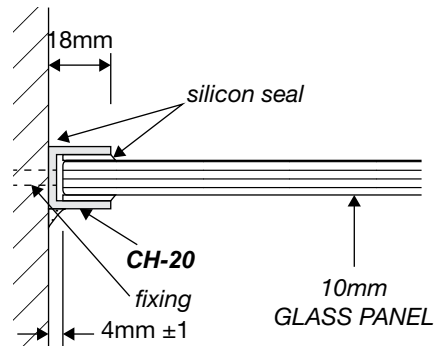
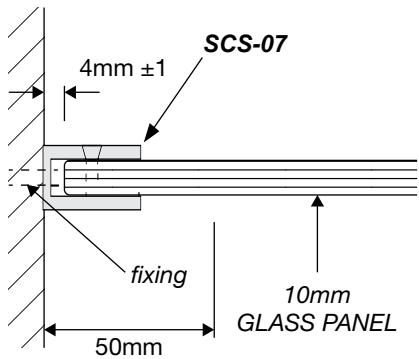
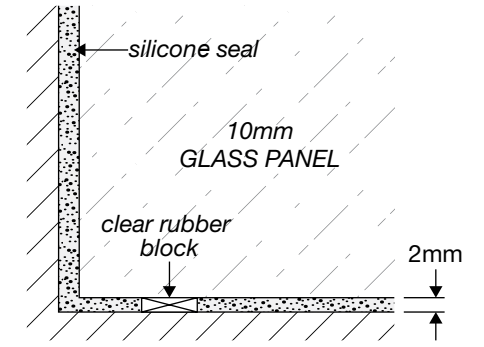
2/ CHANNEL



3/ REBATED CHANNEL (INTO TILES)



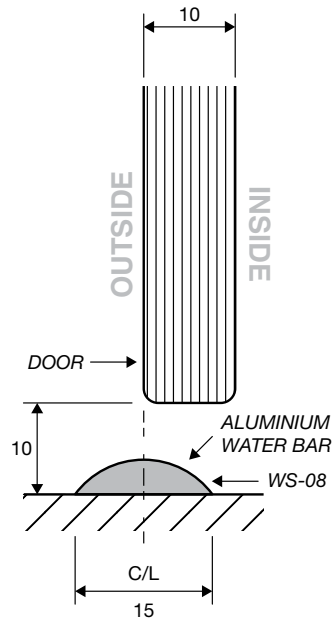
4/ GLASS-TO-FLOOR SEAL



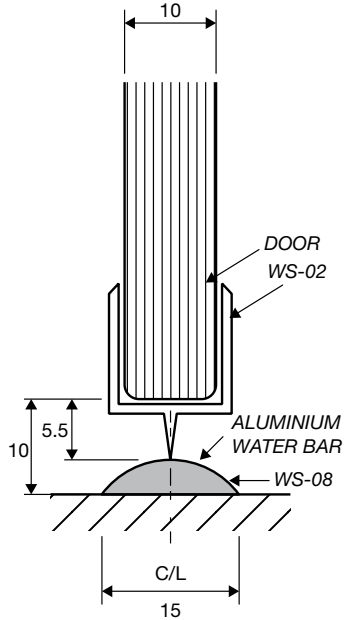
WALL MOUNT DRAWINGS

CLEAR WATER SEAL APPLICATIONS

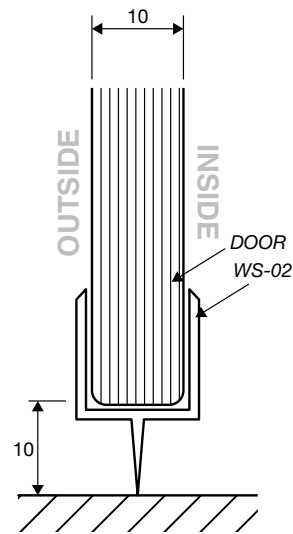
OPTION 1



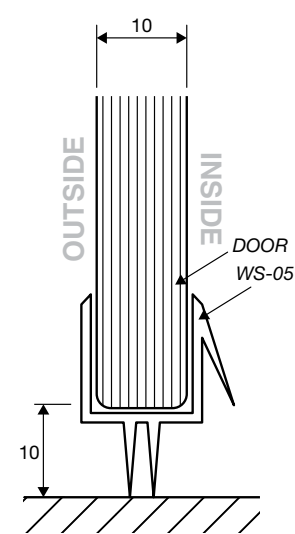
OPTION 2



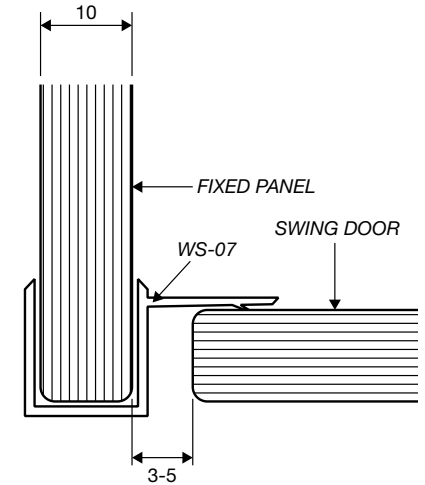
OPTION 3



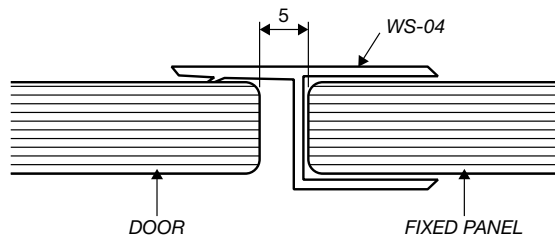
OPTION 4



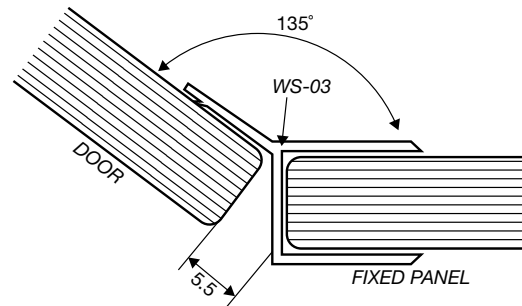
OPTION 5



OPTION 6 (FLOOR TO FIXED PANEL SEAL)

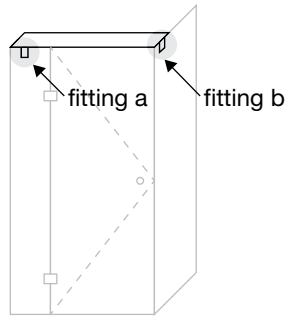


OPTION 7 (135° JOINT SEAL)

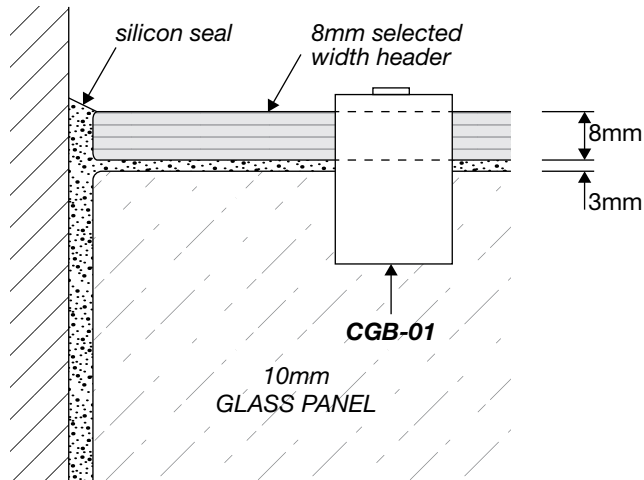


SEAL APPLICATION DRAWINGS

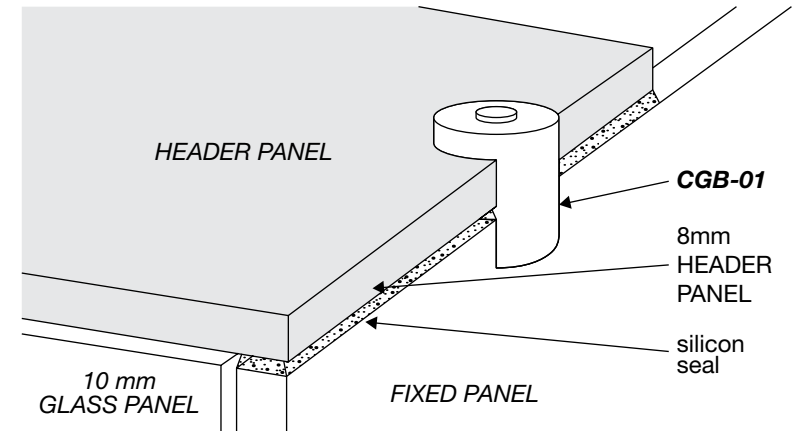
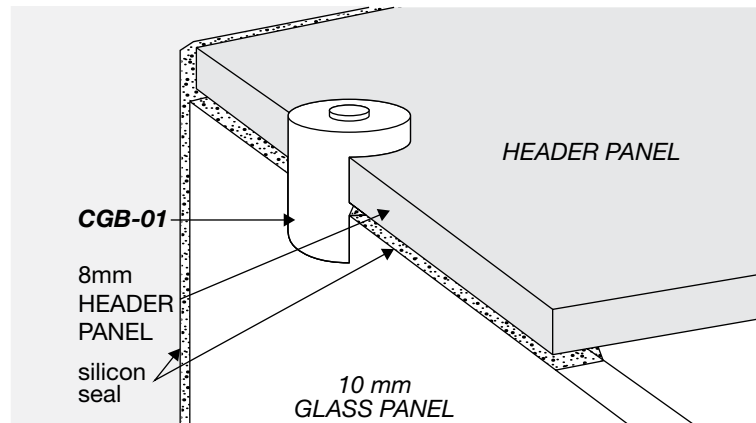
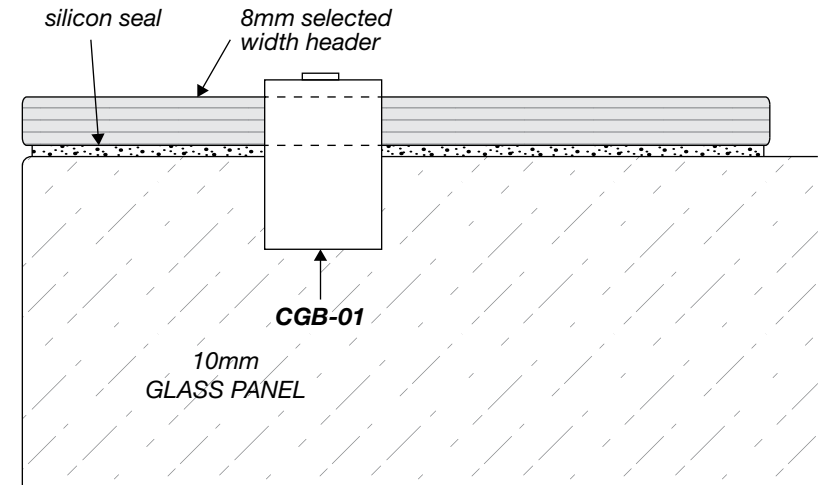
SHOWER HEADER APPLICATION



FITTING A



FITTING B



ELEVATION DRAWING